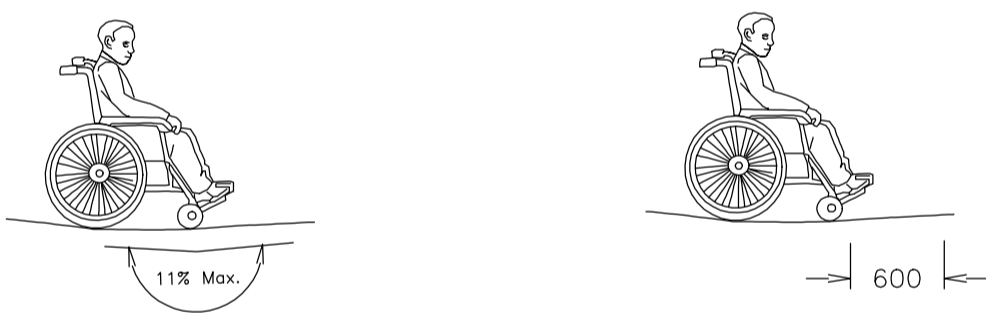
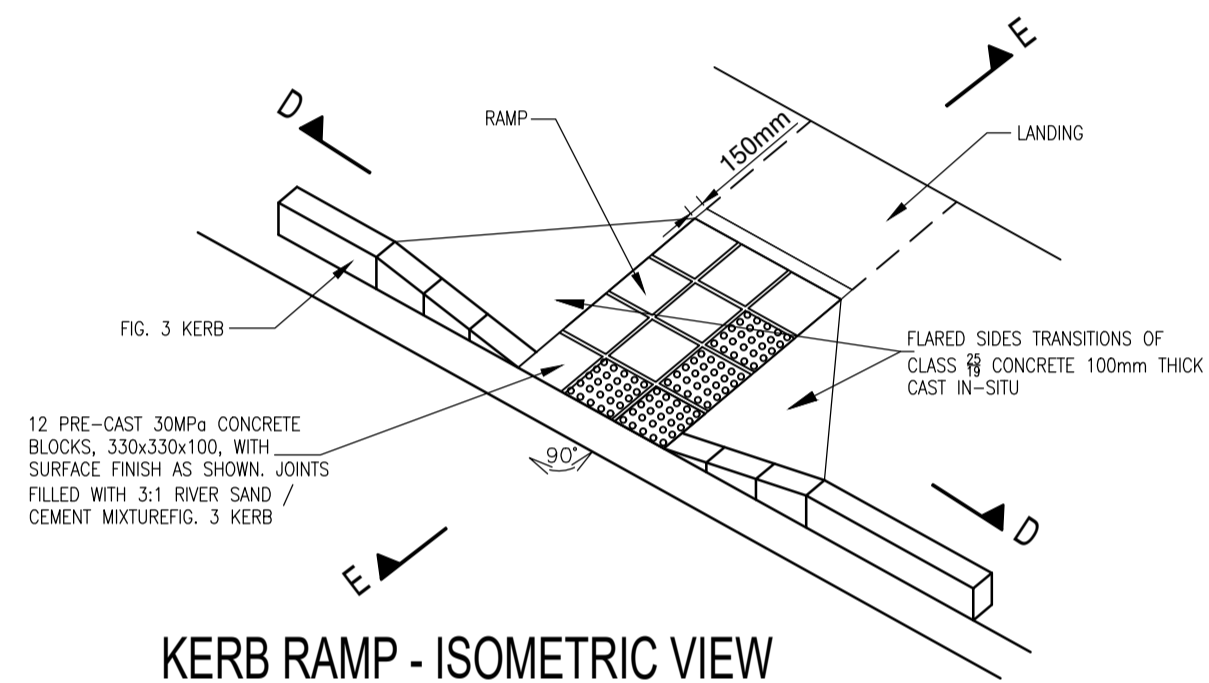
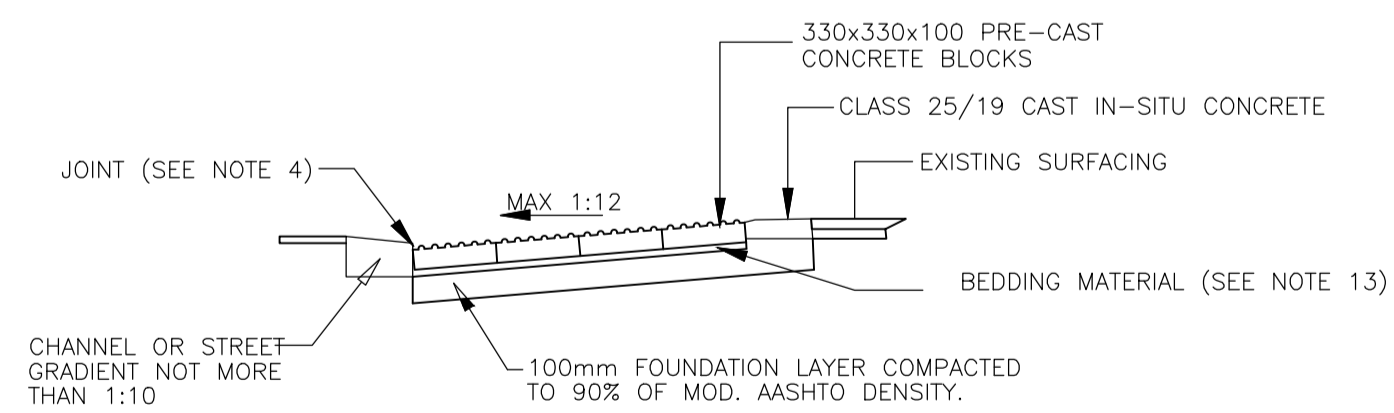


TYPE A PEDESTRIAN CROSSING

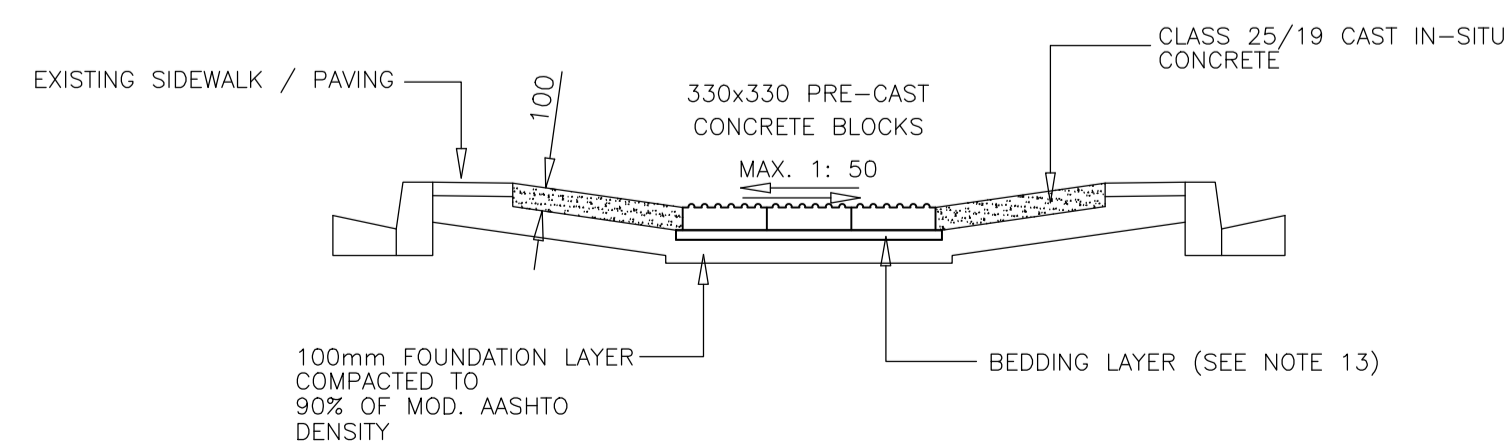


ALGEBRAIC DIFFERENCE IN GRADIENTS NOT TO EXCEED 11% PROVIDE 600mm LEVEL STRIP IF ALGEBRAIC DIFFERENCE EXCEEDS 11%

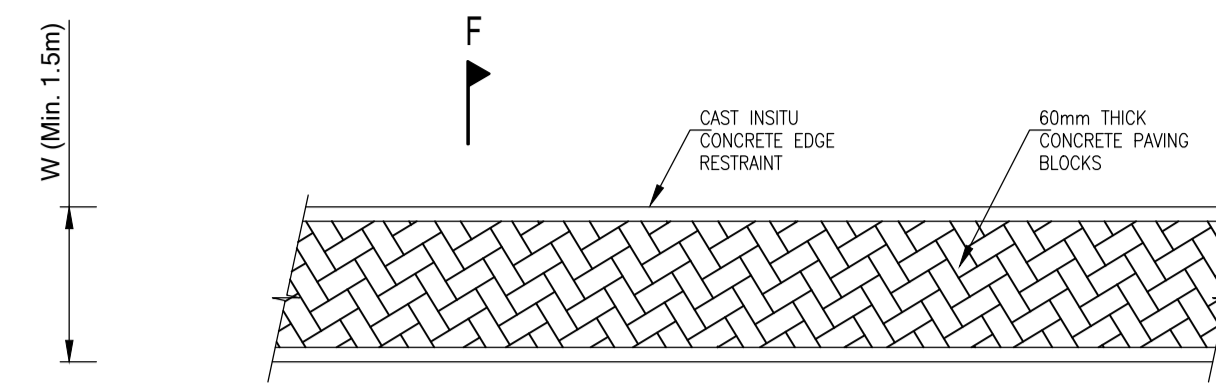
KERB RAMPS



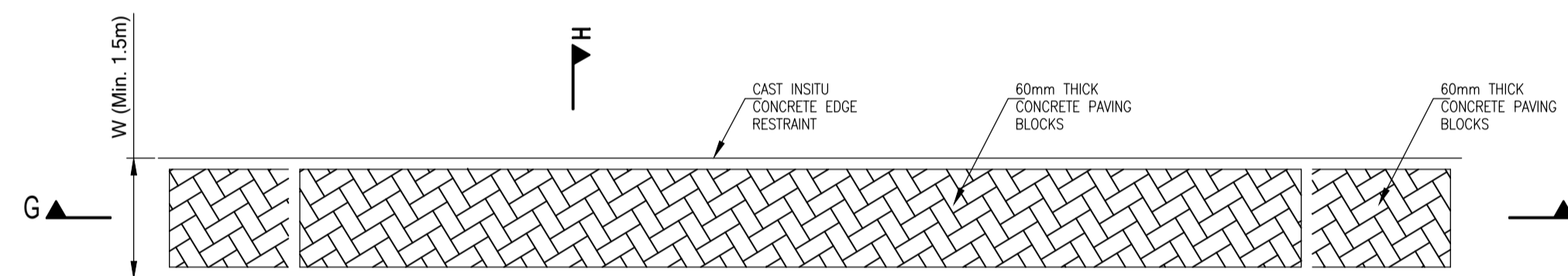
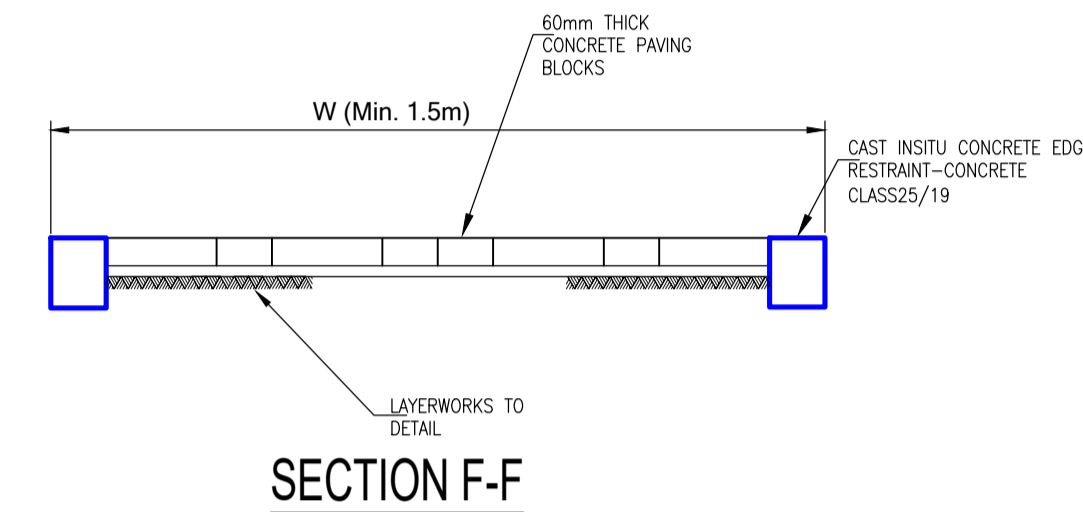
SECTION D-D



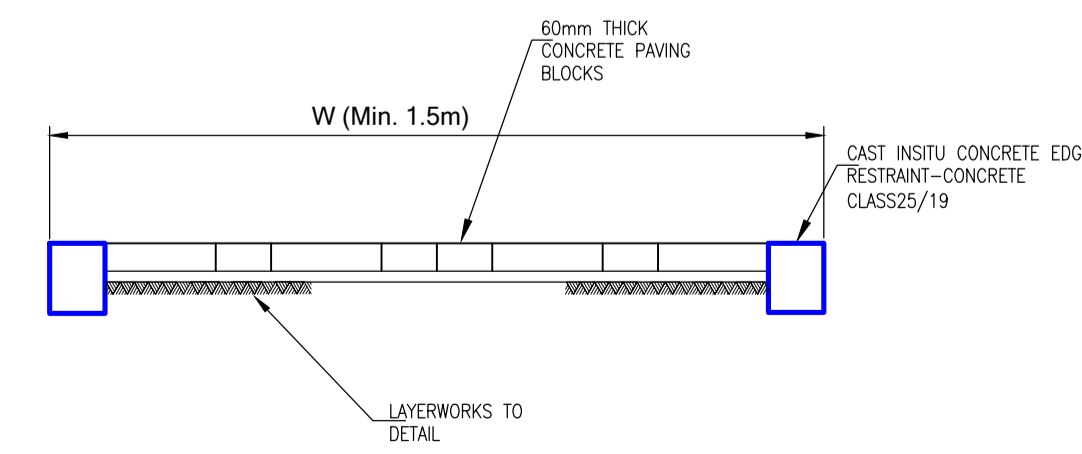
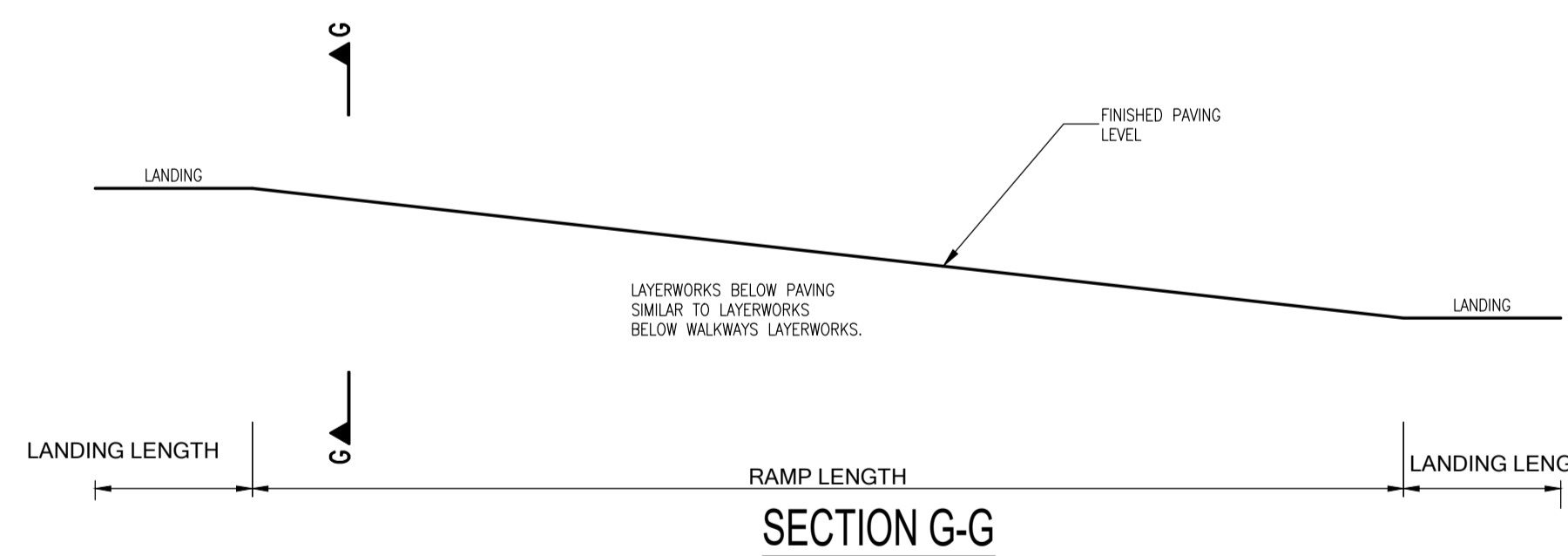
SECTION E-E



PLAN OF PAVING WALKWAY TRACK



TYPICAL PLAN OF RAMP



GENERAL NOTES:

- Roads
- All walkways and sidewalks to be a minimum width 1.5m
 - All walkways and sidewalks to have maximum cross fall of 2%.
 - Cast in situ concrete to be class 25/19.
 - Concrete to be cured for a minimum period of 7 days.
 - Unformed concrete surfaces shall be finished to a class U2 surface finish.
 - All precast concrete paving blocks shall comply with the requirements of SANS 1058, and shall be supplied by a manufacturer approved by the Engineer.
 - Precast edge restraints are permitted if indicated on the detail drawings or specified by the Engineer.
 - Concrete for cast in situ edge restraints to be class 25/19.
 - Concrete for cast in situ edge restraints to be cured for a minimum of 7 days.
 - Cast in situ edge restraints shall be cast in alternative sections. The exposed end surfaces of the first cast shall be coated with bituminous emulsion before intermediate section is cast. 6mm joints shall be provided with approved joint forming material at 6m intervals maximum.

TENDER

REV.	DATE	DESCRIPTION	BY
TD	08/04/2021	ISSUED FOR TENDER	NM

CONSULTANT:

ADI ENGINEERING (PTY) LTD
BLOCK A 28 VICTORIA LINK CENTURIUM, 0602 PRETORIA
T: 086 167 6646 E: adi@adiengineering.co.za W: www.adiengineering.co.za

CLIENT:

TOURISM KWAZULU NATAL
Zulu Kingdom. Exceptional

PROJECT:

NELSON MANDELA CAPTURE SITE

PROJECT STATUS:

TENDER

APPROVED

THE MASTER HELD AT ADI ENGINEERING BEARS THE ORIGINAL SIGNATURE OF APPROVAL

ECSA NO: _____

SIGNATURE: _____ NAME: _____ DATE: _____

DRAWING TITLE:

WALKWAYS AND RAMPS TYPICAL STANDARD DETAILS

DRAWING UNITS: MILLIMETER		
DATE 06/04/2021	SCALE AS SHOWN	DESIGNED BY T. NEZANDONYI
CHECKED BY D. GWANGWAZA	DRAWN BY N. MASHEGO	APPROVED BY T. NEZANDONYI
DRAWING NO P1808 - CIV - 200 - 09		REV TD
File Path		