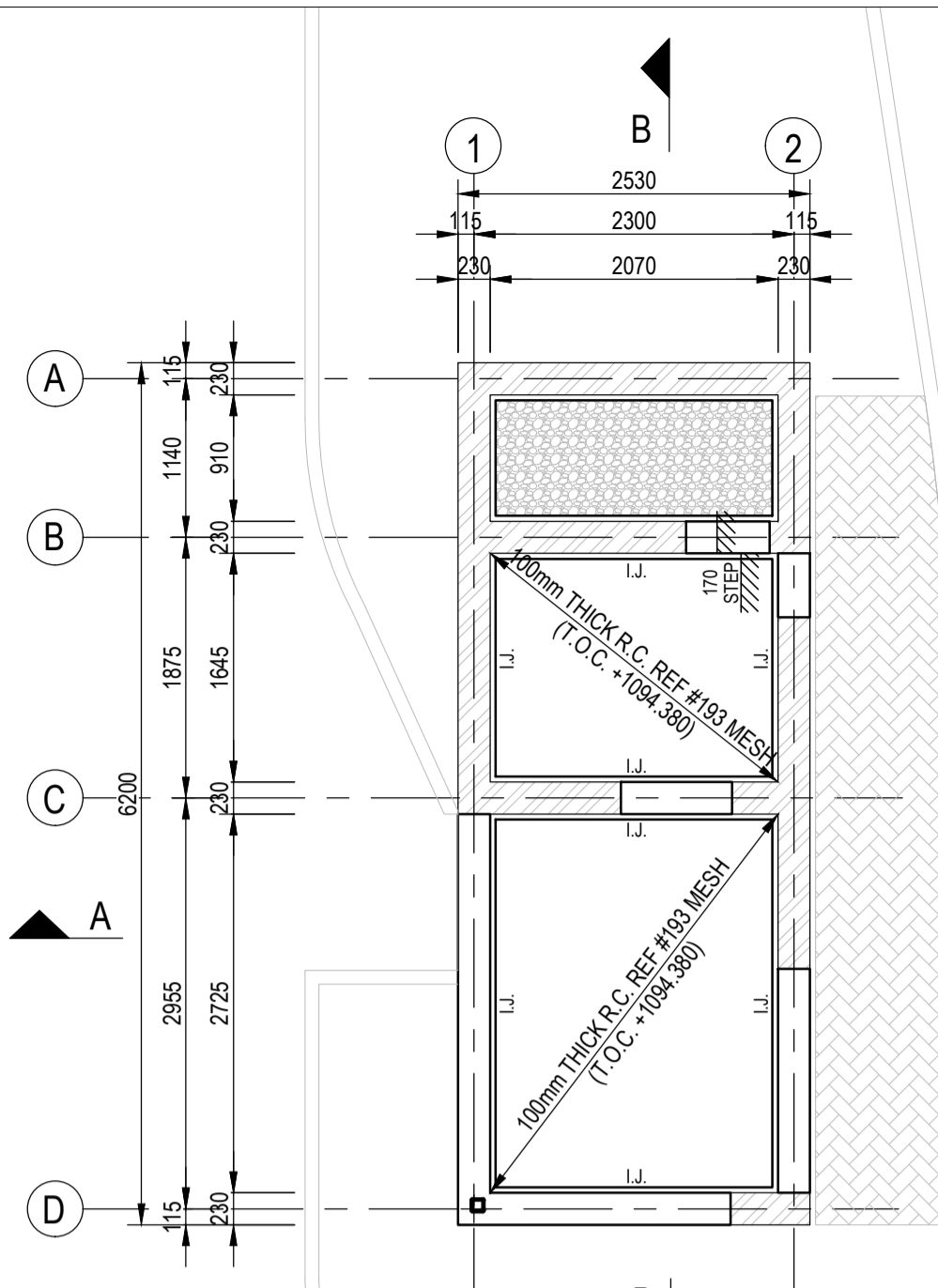
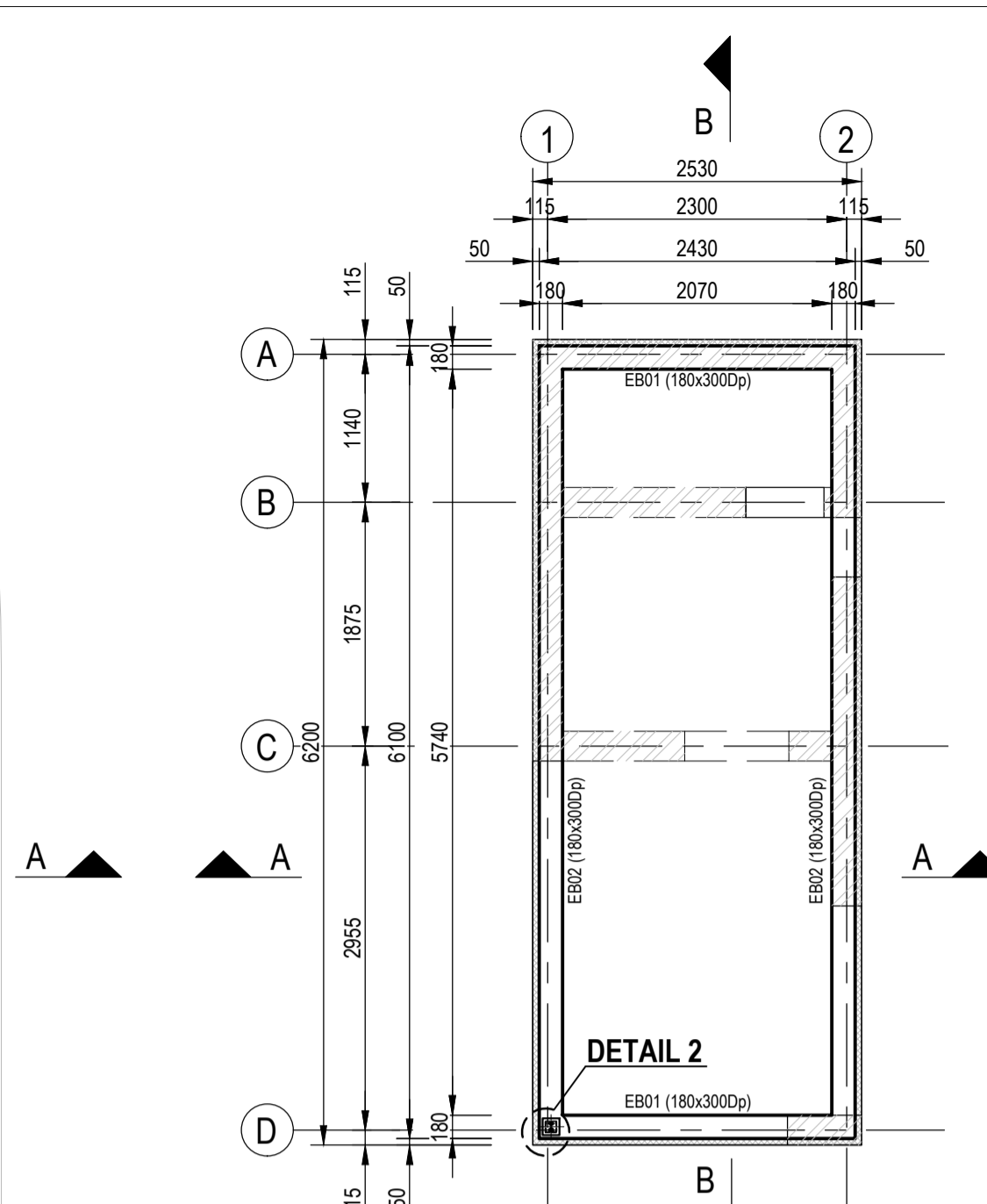


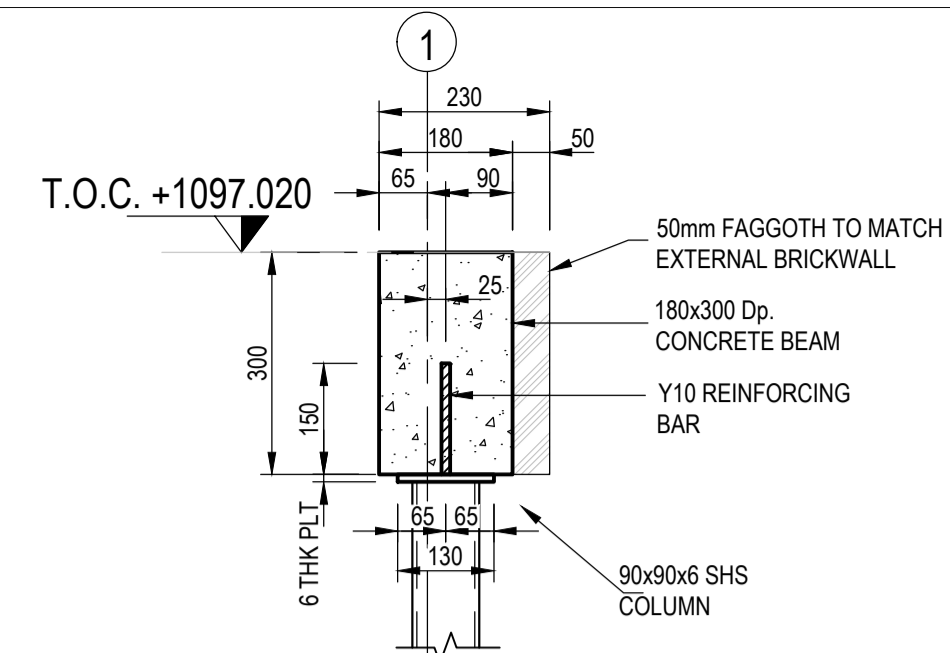
FOUNDATION LAYOUT
SCALE 1:50



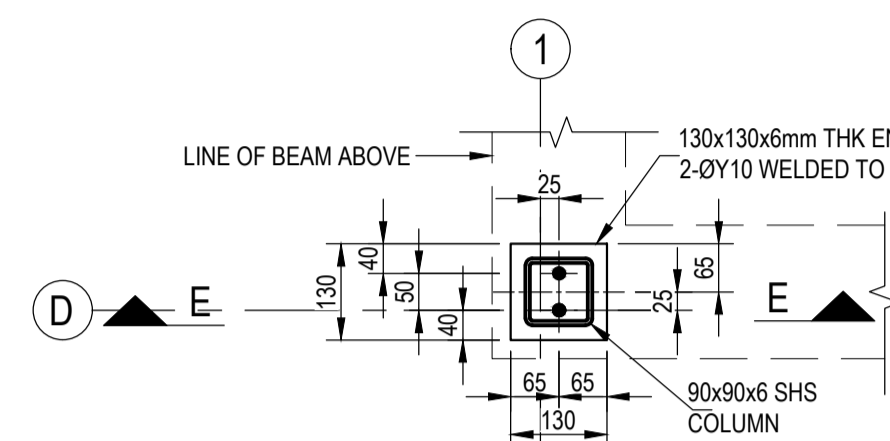
SURFACEBED LAYOUT
SCALE 1:50



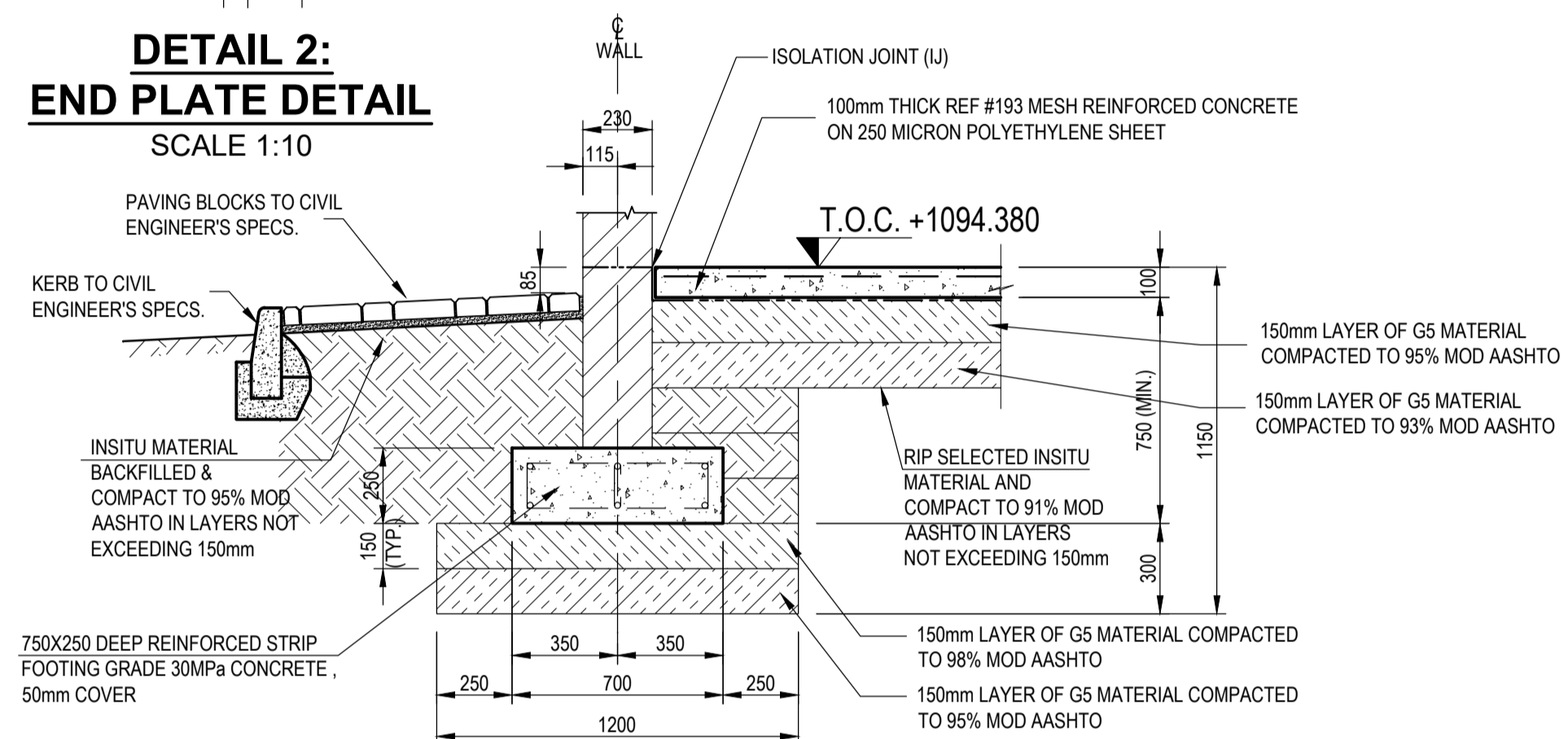
EAVES BEAM LAYOUT
SCALE 1:50



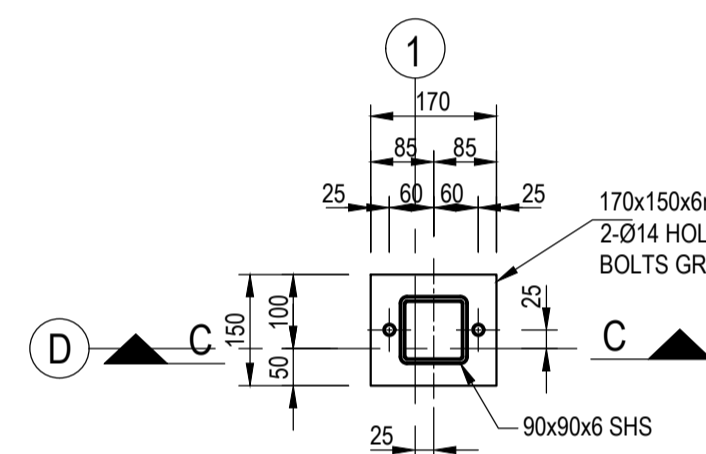
SECTION E-E
SCALE 1:10



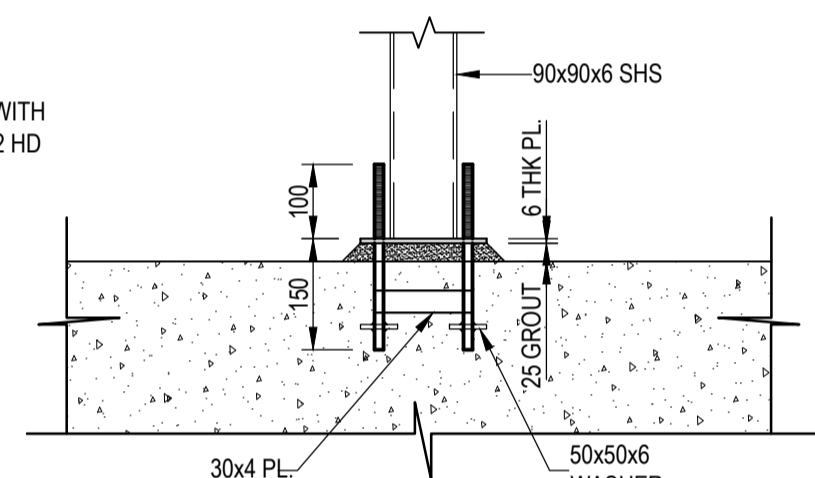
DETAIL 2: END PLATE DETAIL
SCALE 1:10



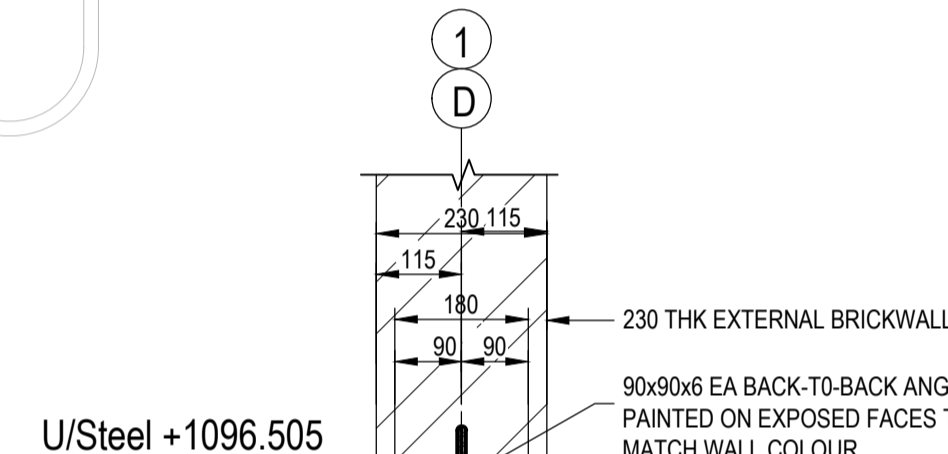
TYPICAL SECTION ON EXTERNAL WALL
SCALE 1:20



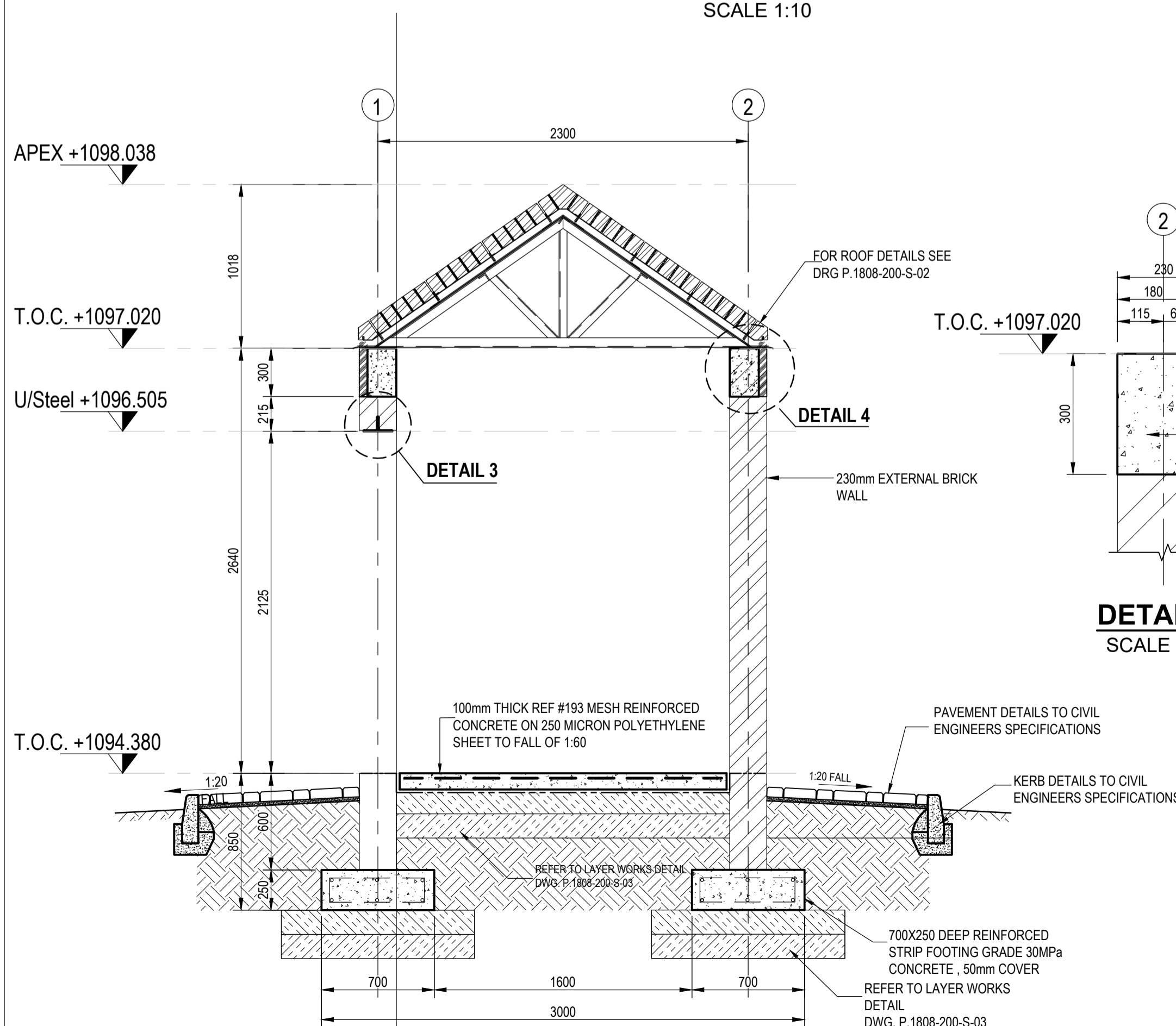
DETAIL 1: BASE PLATE DETAIL
SCALE 1:10



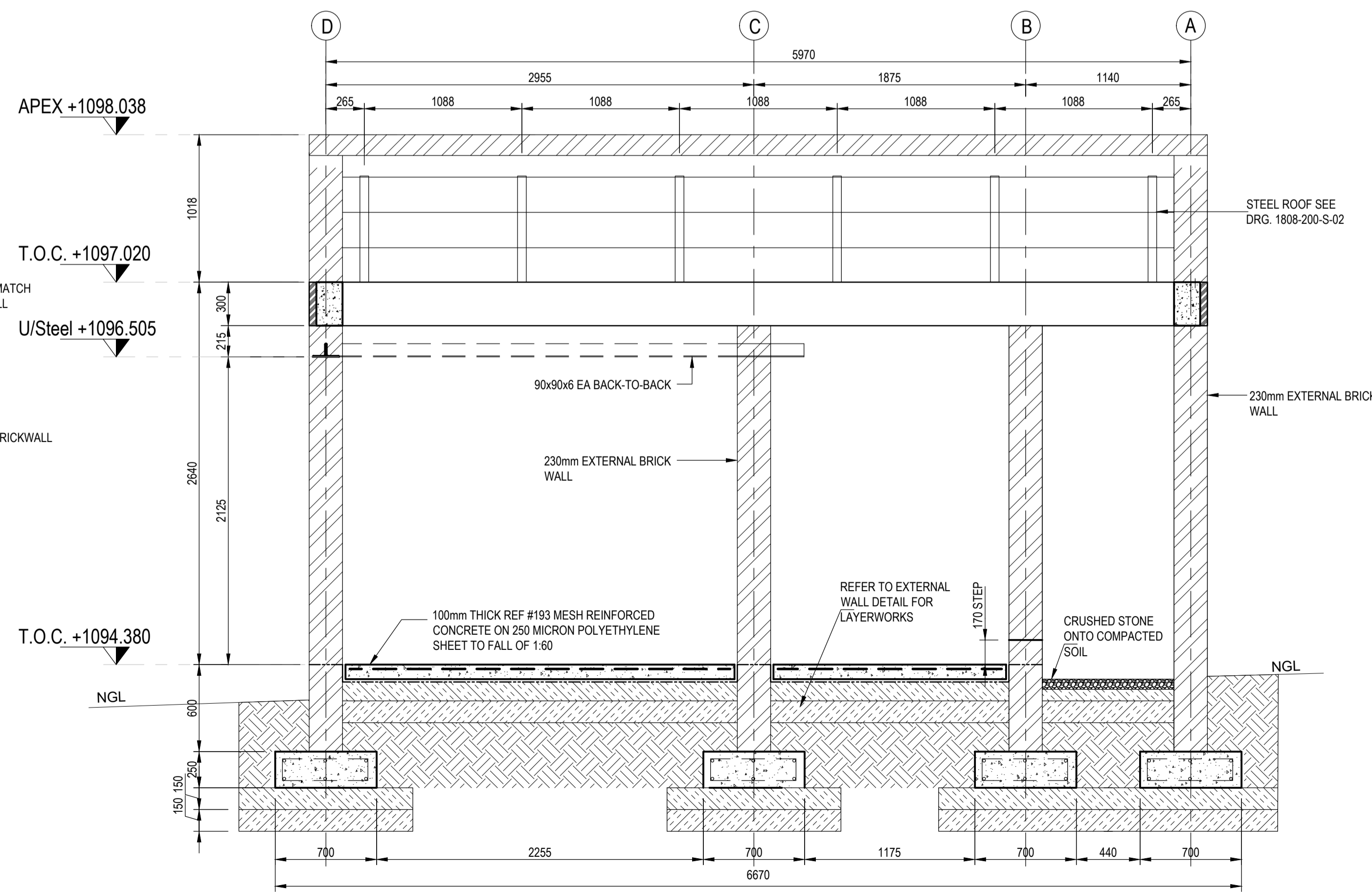
SECTION C-C
SCALE 1:10



DETAIL 3
SCALE 1:10



SECTION A-A
SCALE 1:25



SECTION B-B
SCALE 1:25

- NOTES:**
1. READ THIS DRAWING IN CONJUNCTION WITH THE ARCHITECT'S DRAWING AND REFER DISCREPANCIES TO THE ENGINEER IMMEDIATELY.
2. FOR CONCRETE AND STEEL NOTES REFER TO DRAWING P.1808-200-S-000

FOR TENDER

REV.	DATE	DESCRIPTION	BY
TD	30/03/2021	ISSUED FOR TENDER	NEM

CONSULTANT: **ADI**
BLOCK A 26 VICTORIA LINK
ROUTE 21 CORPORATE PARK, IRENE,
CENTURION,
0062, PRETORIA
T: 086 167 6646 E: adi@adiengineering.co.za W: www.adiengineering.co.za

CLIENT: **Tourism KwaZulu Natal**
Zulu Kingdom. Exceptional

PROJECT: **NELSON MANDELA CAPTURE SITE**

PROJECT STATUS:
APPROVED THE MASTER HELD AT ADI ENGINEERING BEARS THE ORIGINAL SIGNATURE OF APPROVAL SACAP NO:
SIGNATURE: NAME: DATE:

DRAWING TITLE: **GATEHOUSE - FOUNDATION, SURFACEBED AND EAVES BEAM LAYOUT AND DETAILS**
DRAWING UNITS: MILLIMETER
DATE: 24/04/2019 SCALE: AS SHOWN DESIGNED BY: T.MATAMBO
CHECKED BY: T.NEZANDONYI DRAWN BY: N.MAHULA APPROVED BY: T.MATAMBO
DRAWING NO: P.1808-200-S-001 REV: TD
File Path